



De'Longhi Appliances
via Seitz, 47
31100 Treviso Italia



Istruzioni per l'uso
Instructions for use
Mode d'emploi
Bedienungsanleitung
Instructies voor het gebruik
Instrucciones para el uso
Instruções para o uso
Οδηγίες χρήσης

PURIFICATORE D'ARIA CON IONIZZATORE
AIR PURIFIER WITH IONIZER
ÉPURATEUR D'AIR AVEC IONISATEUR
LÜFTREINIGER MIT IONISATOR
LUCHTZUIVERINGSAPPARAAT MET IONISATOR
PURIFICADOR DE AIRE CON IONIZADOR
PURIFICADOR DE AR COM IONIZADOR
ΑΦΥΓΡΑΝΤΗΡΑΣ



Инструкция по использованию
Használati útmutató
Návod k použití
Návod na použitie
Instrukcja obsługi
Bruksanvisning
Bruksanvisning
Brugsanvisning
Käyttöohjeet

ОСУШИТЕЛЬ ВОЗДУХА
PÁRÁTLANÍTÓ
ODVLHČOVAČ
ODVLHČOVAČ
OSUSZACZ POWIETRZA
AVFUKTER
AVFUKTARE
AFFUGTER
KOSTEUDENPOISTAJA



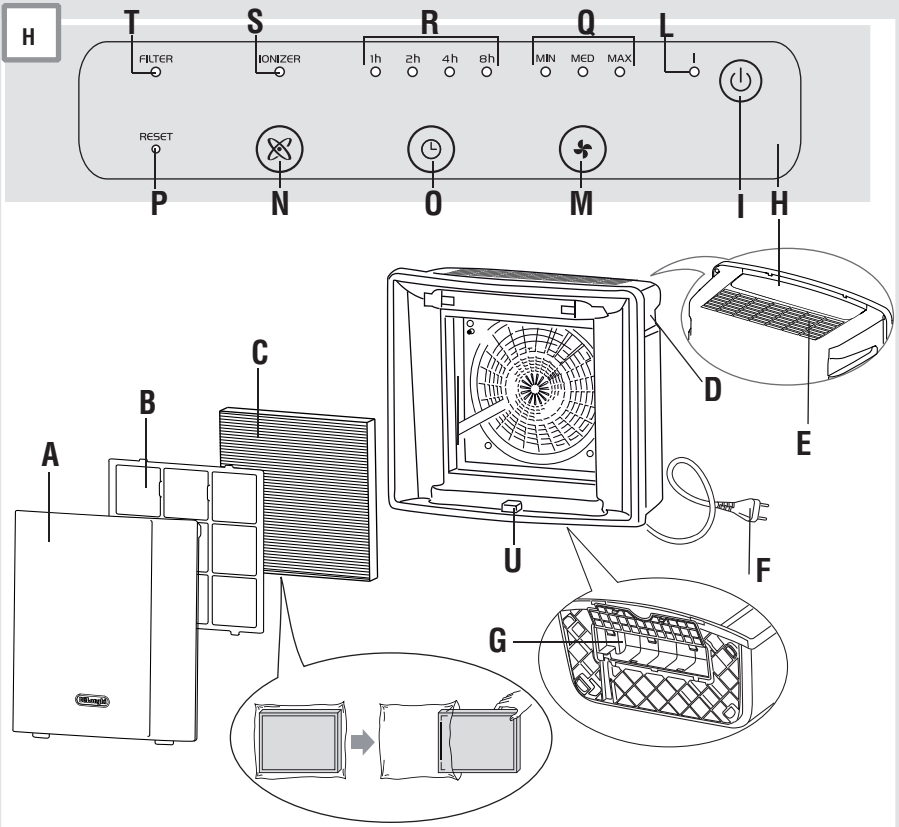


Fig. 2

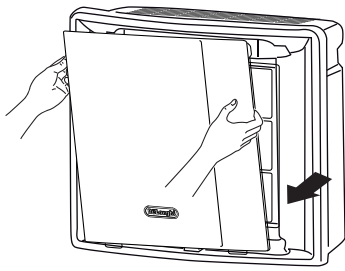


Fig. 3

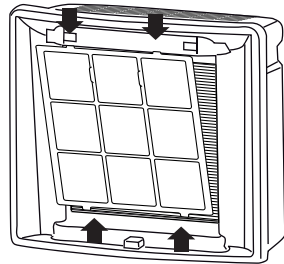


Fig. 4

INTRODUCTION

Thank you for choosing a De'Longhi product.
Please take a few minutes to read these instructions.
This will avoid all risks and damage to the appliance.

Symbols used in these instructions

Important warnings are identified by these symbols.
It is vital to respect these warnings.
Failure to observe the instructions could result in electric shock, serious injury, burns, fire or damage to the appliance.



Danger!

Failure to observe the warning may result in life threatening injury by electric shock.



Important!

Failure to observe the warning could result in injury or damage to the appliance.



Please note:

Failure to observe the warning could result in injury or damage to the appliance.

Troubleshooting and repairs

If the appliance requires repair, always contact the manufacturer's Customer Services.

Always insist on original spare parts.

Repairs carried out by unauthorised personnel may be dangerous and invalidate the guarantee.

Designated use

This is a household appliance only. Use only as described in these instructions.

As with all electrical equipment, whilst the instructions aim to cover as many eventualities as possible, caution and common sense should be used when operating and installing the appliance.

IMPORTANT SAFEGUARDS

Fundamental safety warnings



Danger! This is an electrical appliance, it is therefore important to respect the following safety warnings:

- Never touch the appliance with wet or damp hands.
- Never use the appliance with bare or wet feet.
- Never touch the plug with damp hands.
- Never immerse the appliance in water.
- Make sure the socket used is freely accessible at all times, enabling the appliance to be unplugged when necessary.
- Unplug directly from the plug only. Never pull the power cable as you could damage it.
- To disconnect the appliance completely you must unplug it from the mains socket.
- If the appliance is faulty, do not attempt to repair. Turn it off, unplug from the mains socket and contact Customer Services.
- If the power socket does not match the plug on the appliance, have the socket replaced with a suitable type by a qualified electrician.
- Never move the appliance by pulling on the power cable.
- The appliance must not be modified in any way, as any modifications may be extremely dangerous.
- If the power cable is damaged, it must be replaced by the manufacturer or the manufacturer's Customer Services in order to avoid all risk.
- Do not use an extension cable.
- The appliance must be installed in accordance with the rules on household appliances in force in the country concerned.



Important! Keep all packaging (plastic bags, polystyrene foam) away from children.



Important! Do not obstruct the air intake and outlet grills.

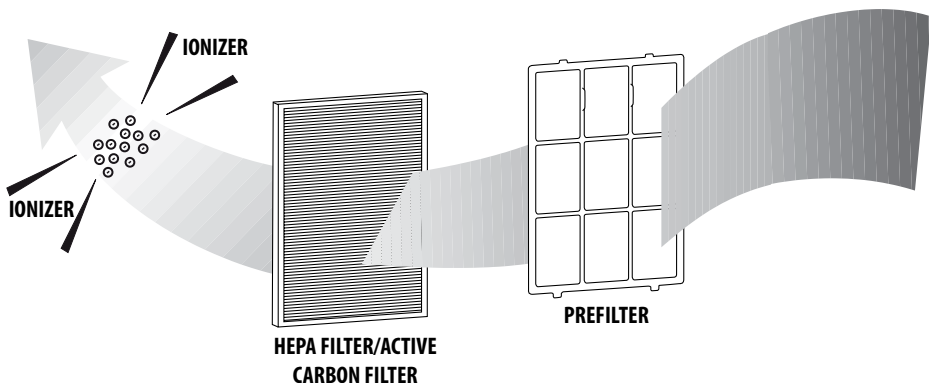
! Important! The appliance is not intended for use by persons (including children) with reduced physical, sensory or mental capabilities, or lack of experience and knowledge, unless they have been given supervision or instruction concerning use of the appliance by a person responsible for their safety.

Children should be supervised to ensure that they do not play with the appliance.

TECHNICAL CHARACTERISTICS

- De'Longhi purifiers incorporate the latest technological features for home air filtration;
- The air is taken in through the front panel;
- The contaminated air passes through a washable prefilter which removes large impurities such as coarse dust, hair, etc. The partially filtered air is then passed through a long-lasting HEPA filter with a large filtering surface, easily recognisable by the special pleated paper. This HEPA (High Efficiency Particulate Air) filter removes impurities down to a size of 0.3 microns, filtering all types of particle including tobacco smoke household dust and pollen;
- The air is then passed through a black active carbon filter which removes a variety of pollutants and unpleasant odours.


- The purified air is returned to the room through the top grille. The upward flow of air improves air circulation in the environment, without generating irritating currents.
- When active, the independently controlled ionizer releases a cloud of beneficial negative ions into the room together with the outflow of filtered air, thus removing dust particles, pollen, cigarette smoke and car fumes;
- On contact with the negative ions, the particles of dust suspended in the air are negatively charged and can combine with the positively charged particles to form larger particles which will then be filtered by the purifier. The negative particles are attracted by positively charged surfaces, such as the floor or wall.
- Negative ions improve the ion balance in the atmosphere, as positive charges generally predominate. The ionizer therefore helps reduce the static electricity created by the presence of rugs, carpet, televisions and computer screens.



TECHNICAL DATA

Power supply	see rating plate
Absorbed power	"
Suitable for rooms of up to	40 m ²
number of fans	1
fan speed	3
ionizer button	YES

DISPOSAL

 In compliance with European directive 2002/96/EC, the appliance must not be disposed of with household waste, but taken to an authorised waste separation and recycling centre.

DESCRIPTION

- A) Front panel
- B) Washable prefilter
- C) HEPA filter/active carbon filter
- D) Handle
- E) Filtered air outlet grille
- F) Power cable with plug
- G) Cable compartment
- H) Control panel
- I) ON/OFF icon
- L) Power on LED
- M) Fan speed
- N) Ionizer
- O) Auto-off
- P) Reset button
- Q) Fan speed LED display
- R) Auto-off LED display (1-2-4-8 h)
- S) Ionizer LED
- T) HEPA filter exhausted LED
- U) Safety microswitch

USE

Read these instructions before using the appliance.

- Unpack the air purifier and place on a stable flat surface so that the air intake in the front panel and air outlet (top grille) are not blocked. A good position in the room might be at least a metre from the wall.
- Remove the front panel (fig. 3). Inside the purifier you will find the prefilter (B) and HEPA filter/active carbon filter (C) packed in a plastic bag.
- Remove the filter from the bag as shown in fig. 2, then place in the following order: HEPA filter with the black active carbon side resting directly on and adhering to the purifier, then the prefilter, slotting it in place as shown in fig. 4.
- Replace the front panel;
- After making sure the voltage in your home corresponds to the voltage indicated on the appliance, plug the appliance into the mains socket.
- Remove the transparent protective film from the control panel.
- Turn the appliance on by touching the ON/OFF icon (I). The LED (L) lights up and the appliance comes on in automatic at minimum speed.
To change the fan speed, touch the icon (M) until the required fan speed is obtained (min/med/max).
- The LED (Q) corresponding to the selected speed comes

on.

- i Please note:** After the appliance has been turned off, when the ON/OFF icon is pressed lightly, the purifier comes on again with the last function set active (with the exception of the timer).

Ionizer icon (N)

To release negative ions into the atmosphere in the purified air, touch the ionizer icon (N). The ionizer LED (S) comes on.

Auto-off icon (O)

This function can be used to turn the appliance off automatically after a given period of time.

With the appliance on, touch the auto-off icon (O) to select how many hours should elapse before the appliance goes off (1-2-4-8 hours).

The corresponding LED comes on (e.g. if auto-off after 4 hours is selected, first the 4h icon comes on, then after one hour, the 4h icon goes off and the 1h and 2h icons come on to indicate that the appliance will go off after 3 hours, and so on).

HEPA filter exhausted LED (T)

When the filter LED (T) flashes, the HEPA filter/active carbon filter must be replaced. Proceed as follows:

After unplugging the appliance from the mains socket, remove the front panel (A) and the prefilter (B), then remove the HEPA filter/active carbon filter (C) and replace with a new one obtainable from De'Longhi's authorised Customer Services. Replace the filters in the correct sequence as described above, then put the front panel back.

At this point, turn the appliance back on and reset as follows:

- insert a fine object into the hole in the reset button (P) and press until the flashing LED comes on steadily. Release the button. After about 5 seconds, the filter LED (T) goes off.

- i Please note:** Before performing cleaning and maintenance, always unplug the appliance from the mains socket.

- i Please note:** Pressing the reset button (P) for less than 3 seconds activates/deactivates the icon tone.

- i Please note:** The appliance has a safety microswitch (U) which turns the appliance off whenever the front panel (A) is removed.

Cable compartment (G)

The appliance has a practical cable compartment (G), useful for storing the cable when the appliance is not in use.

CLEANING THE APPLIANCE

Clean the outside of the appliance with a soft slightly damp cloth to remove dust, dirt or fingerprints.

The front panel and prefilter can be removed and washed separately in hot soapy water (they are NOT dishwasher safe).

Dry the components thoroughly before putting them back in the appliance.

The top grille can be cleaned with a soft brush.

Do not clean the appliance by immersing in water.

MAINTENANCE AND FILTER REPLACEMENT

- Remember that the efficiency of your air purifier depends on the condition of the filters. They should therefore be checked regularly by removing the front panel.

Prefilter (B)

- Check the prefilter regularly.
If large quantities of dust and other impurities have accumulated, remove and hand wash in hot soapy water. Dry thoroughly before replacing in the appliance.
- Frequent cleaning of the prefilter helps extend the life of the HEPA filter/active carbon filter.
- When the filter goes from white to dark grey or brown, it must be replaced.

HEPA filter/active carbon filter (C)

- The life of a HEPA filter/active carbon filter depends on the operating conditions of the appliance.
In general, considering about 4 hours operation a day at medium speed with normal quantities of dust/smoke in the air, it should last about 6 months. However, when the HEPA filter exhausted LED (T) flashes, it must be replaced. (See the HEPA filter exhausted LED paragraph).
To replace the HEPA filter/active carbon filter, first remove the prefilter (B), then remove the HEPA filter/active carbon filter (C) and replace with a new one.
- Do not wash the HEPA filter/active carbon filter. When exhausted, it cannot be regenerated.
- Replacement De'Longhi filters can be obtained from the manufacturer's Customer Services and household appliance shops.